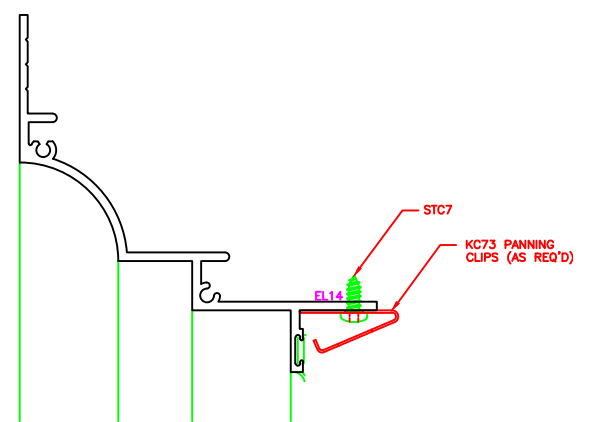
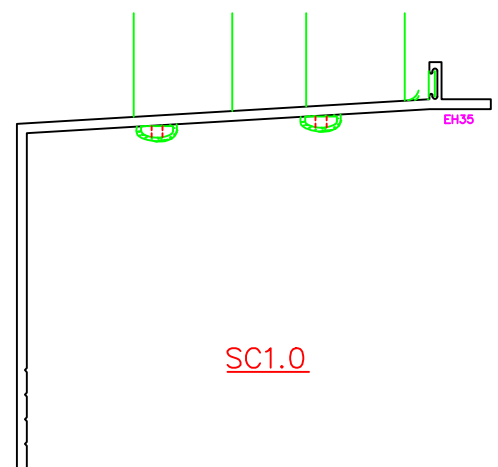


SLQ3 #8-18 X 1 1/4
SQ-PH-SMS 18-8 LP

ERECTOR NOTE:
BACK BED WITH SEALANT BEFORE
THE WINDOW IS INSTALLED OR CAP
SEAL AFTER THE WINDOW IS INSTALLED
TO INSURE A WATERTIGHT SEAL.



STC7
KC73 PANNING
CLIPS (AS REQ'D)



SC1.0