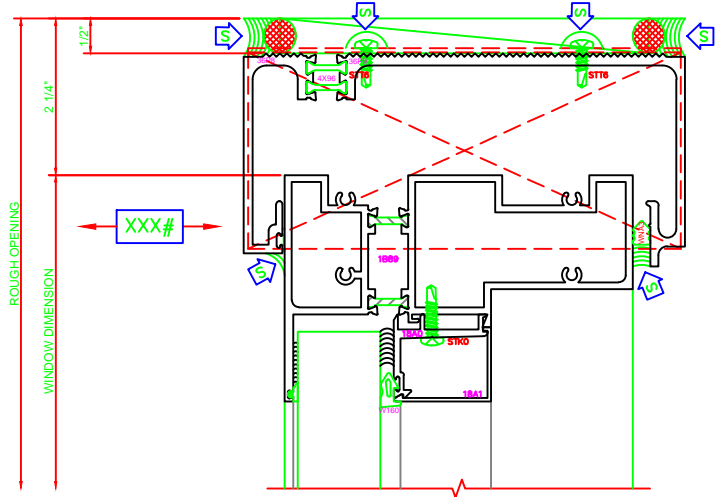
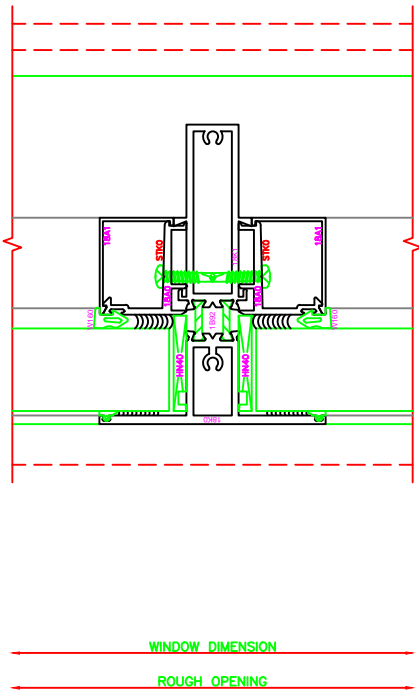
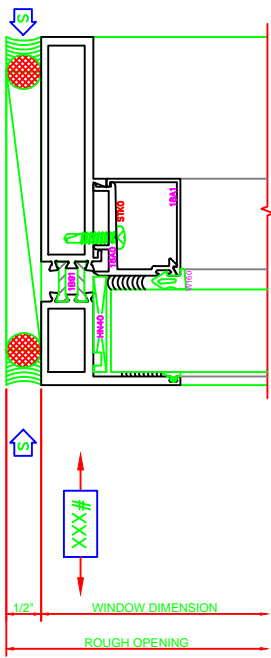
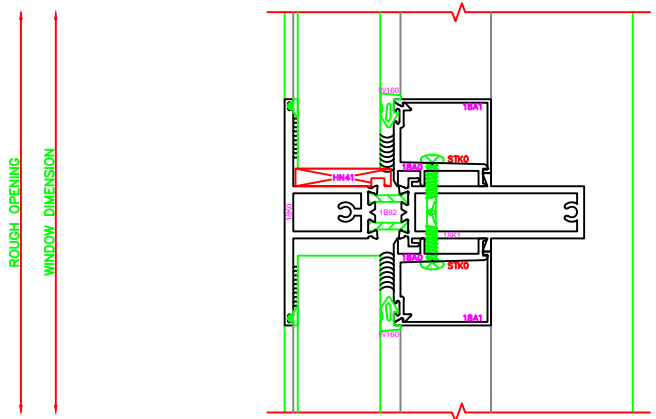


400 FIXED JAMB
 S-SFIX FIXED WINDOW
 1 3/16" INSULATED

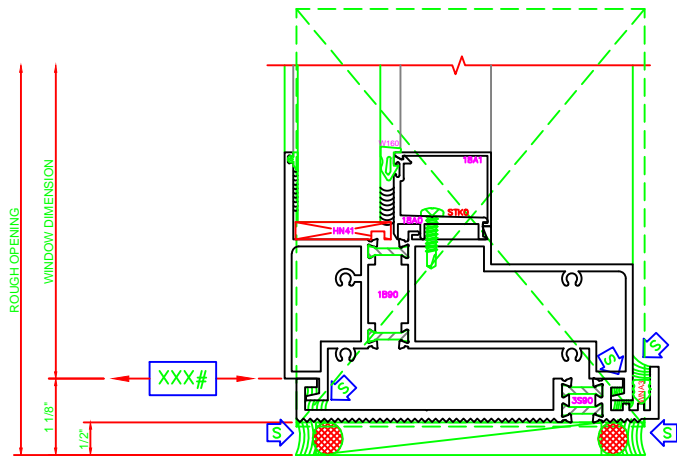
701 MUNTIN
 S-SFIX FIXED WINDOW
 1 3/16" INSULATED
 NON IMPACT GLAZING



100 FIXED HEAD
 S-SFIX FIXED WINDOW
 1 3/16" INSULATED



700 MUNTIN
 S-SFIX FIXED WINDOW
 1 3/16" INSULATED
 NON IMPACT GLAZING



ERECTOR NOTE:
 FASTENER HEADS MUST BE COVERED WITH SEALANT TO INSURE A WATERTIGHT SEAL. (TYPICAL)

ERECTOR NOTE:
 END DAM SUBSILL WITH FLASHING MATERIAL (LABOR BY ERECTOR). SEAL END DAM TO SUBSILL, THEN SEAL END DAM TO CONDITION PER EFCCO CORP. SLIDING GLASS DOOR INSTALLATION INSTRUCTIONS, SUBFRAME SECTION. (TYPICAL)

ERECTOR NOTE:
 SUBSILLS MUST BE SET IN A BED OF SEALANT TO INSURE A WATERTIGHT SEAL (INTERIOR AND EXTERIOR). (TYPICAL)

200 FIXED SILL
 S-SFIX FIXED WINDOW
 1 3/16" INSULATED