

**810-I Inside Glazed**

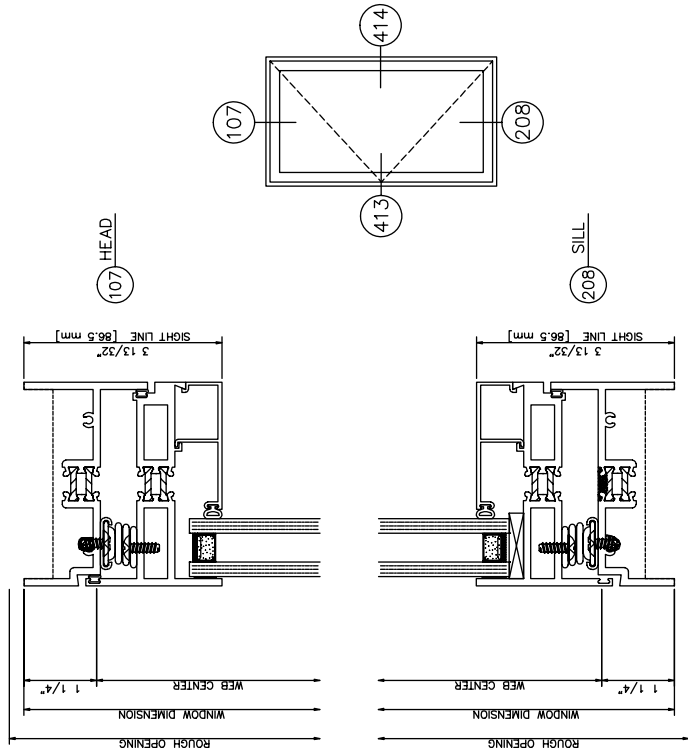
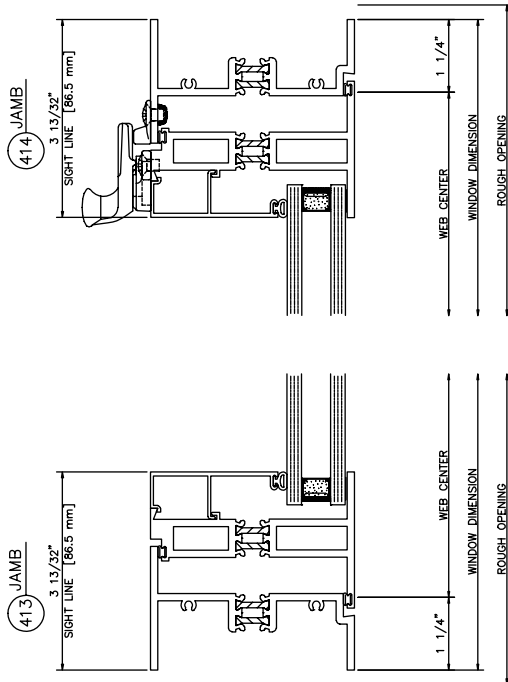
Caseament In • Left Swing • 4 Bar Arms • Cam Locks

**810-I Inside Glazed**

Caseament In • Left Swing • Butt Hinges • Lift Blocks • Cam Locks

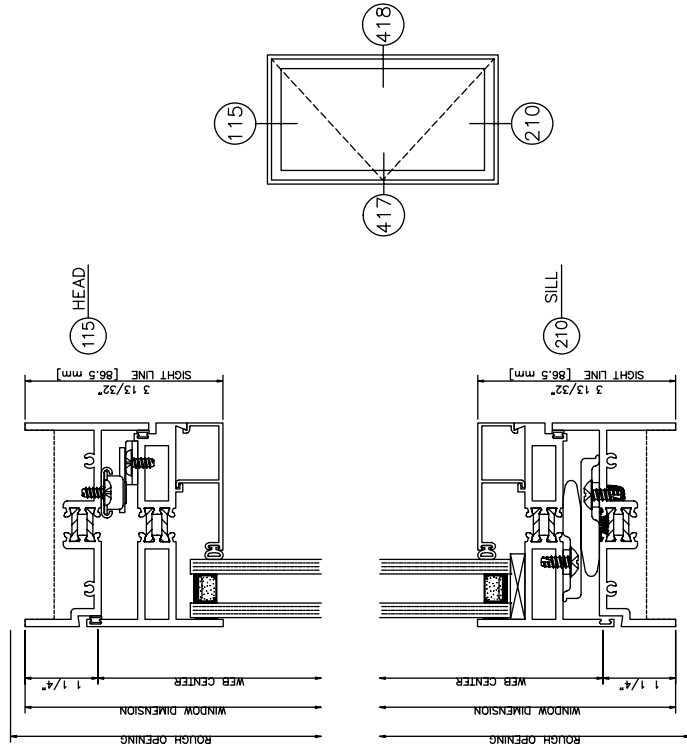
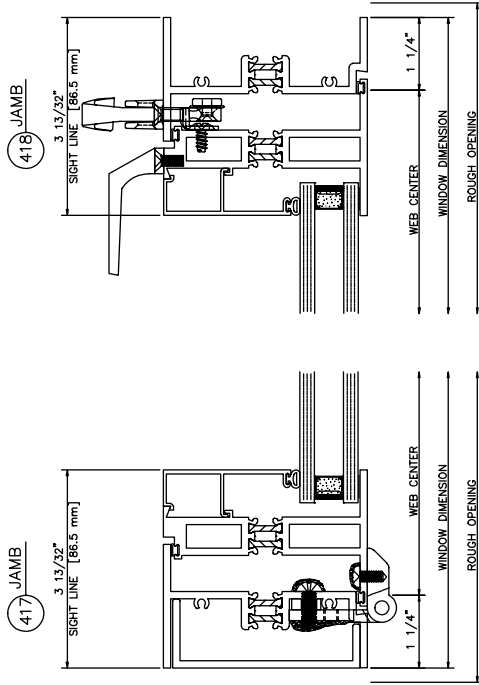
## 810-I Inside Glazed

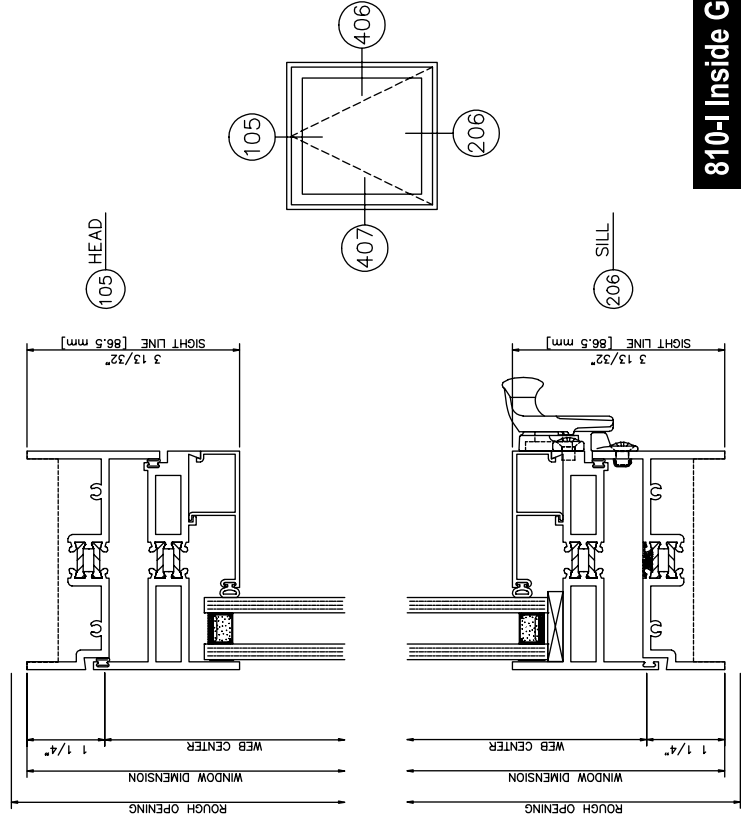
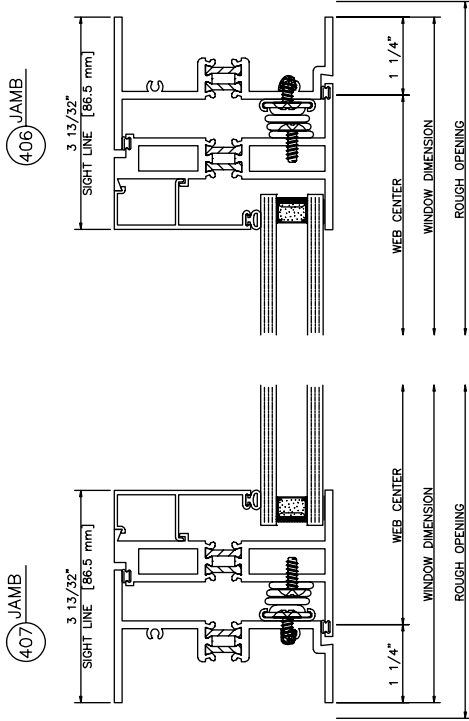
Caseament Out • Left Swing • 4 Bar Arms • Cam Locks



## 810-I Inside Glazed

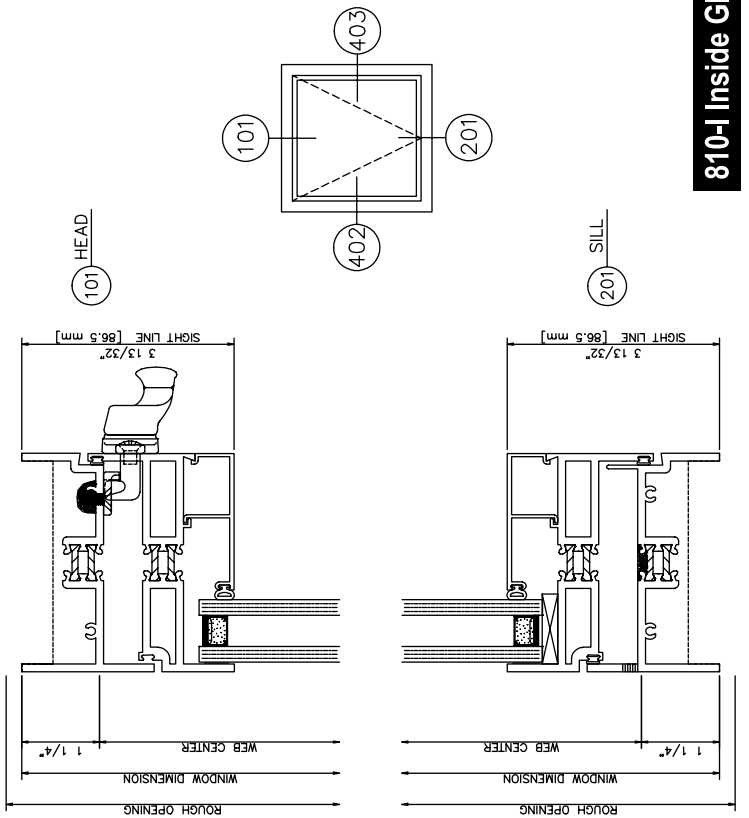
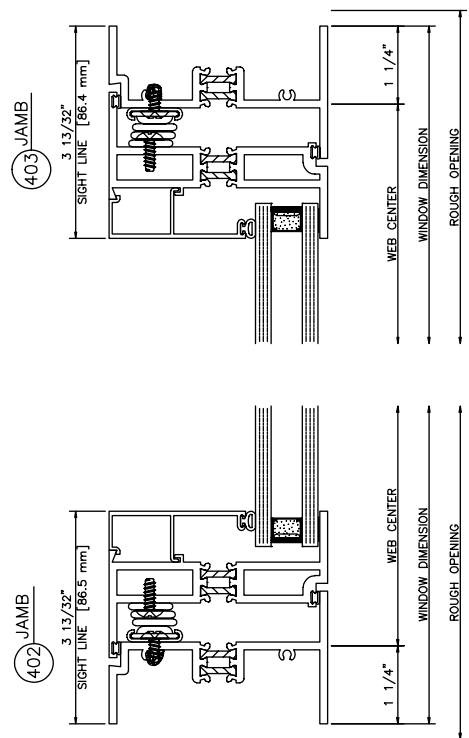
Caseament Out • Left Swing • Butt Hinges • Lift Blocks • Pull Handles





**810-I Inside Glazed**

Project Out

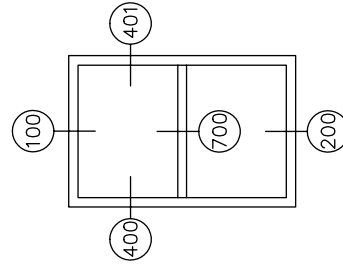
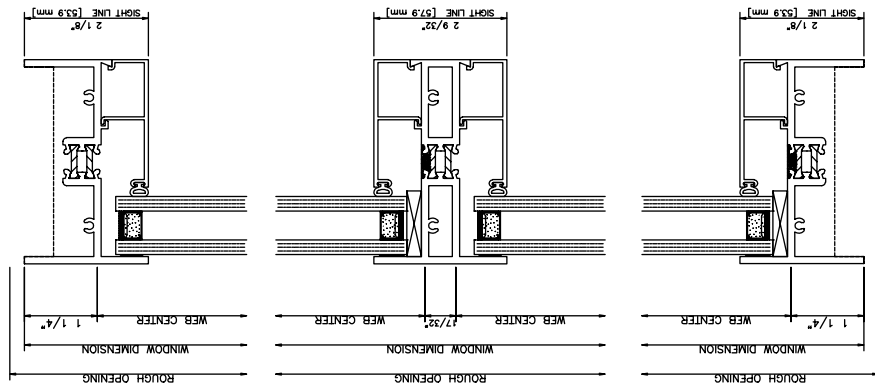
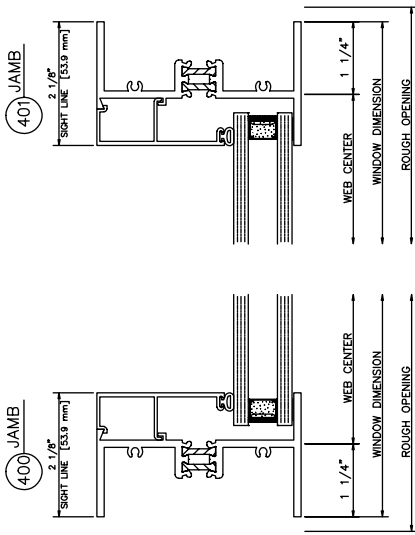


**810-I Inside Glazed**

Project In

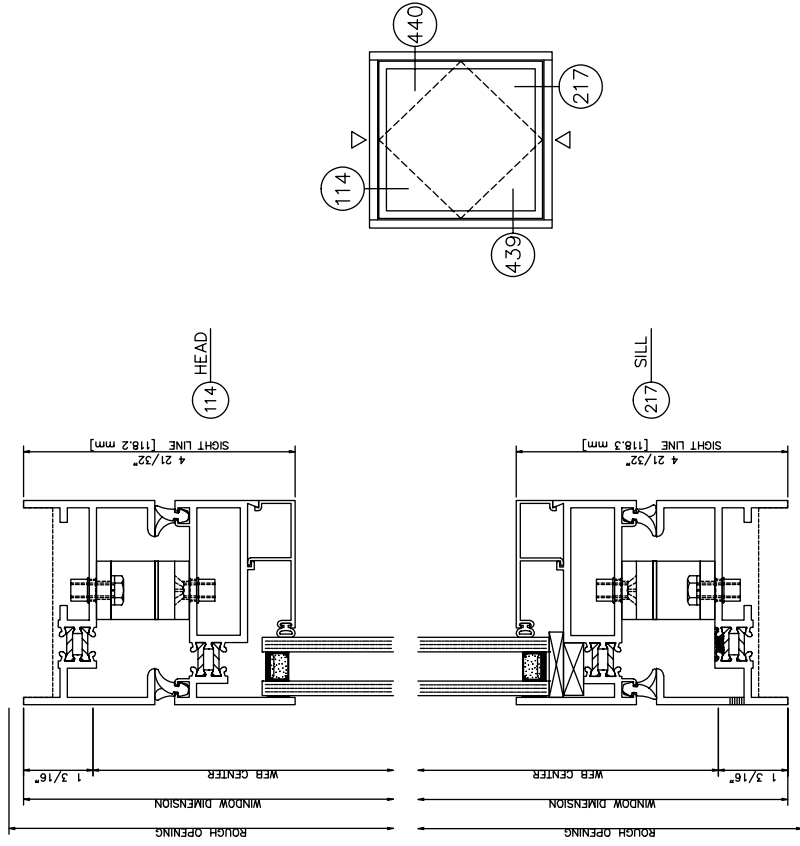
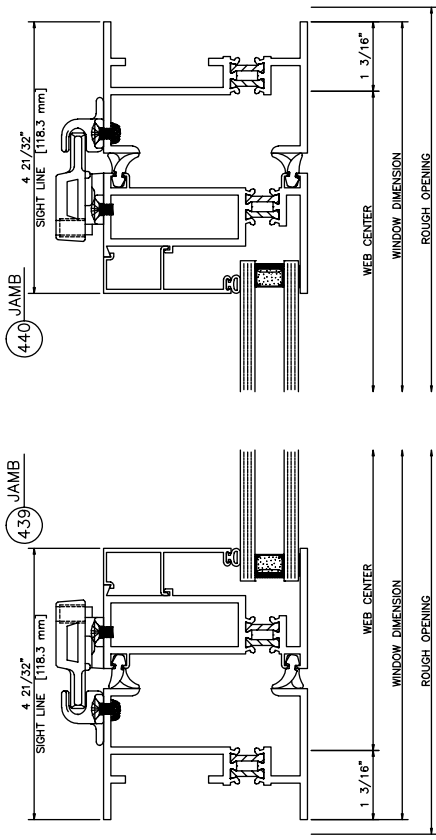
**810-I Inside Glazed**

Fixed

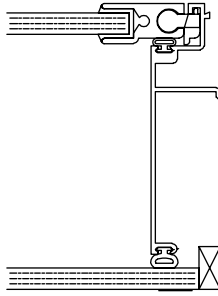


**810-I Inside Glazed**

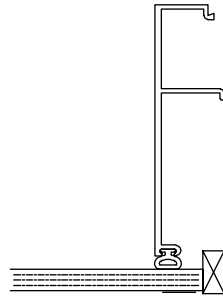
Vertical Pivot



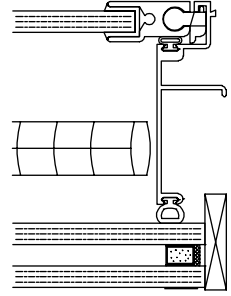
ER65 - 1/4"  
INTERIOR PANEL  
1/4" GLAZE



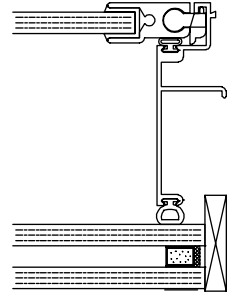
1/4" GLAZE



ER65 - 1/4"  
INTERIOR PANEL  
1/4" GLAZE  
5/8" BLINDS

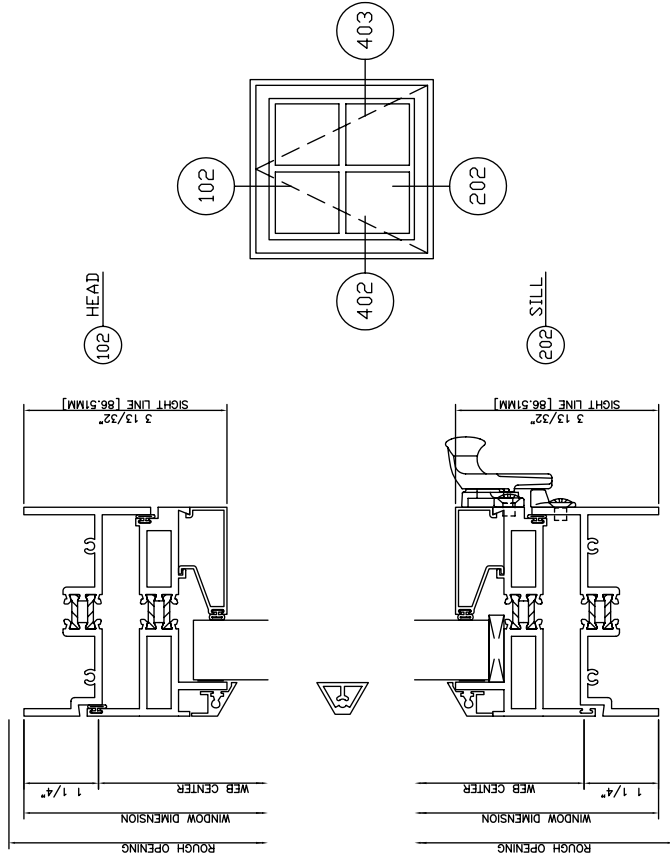
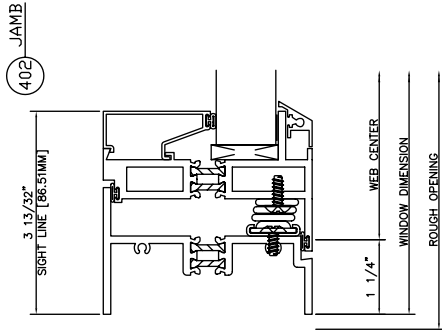
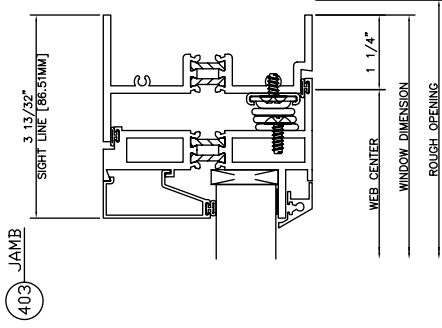


ER65 - 1/4"  
INTERIOR PANEL  
3/4" INSULATED  
1/4"-1/4"



# 810G Inside Glazed

## Project Out



# 810G Inside Glazed

## Project In

