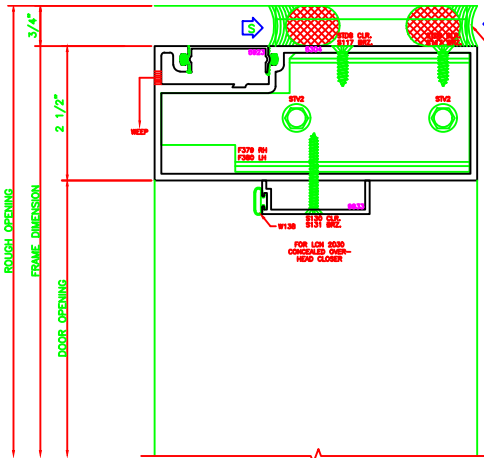


8162 HEADER
5600 6"



8053 C.O.C. HEAD
5600 6"

8166 O.G. VERT.
5600 6"

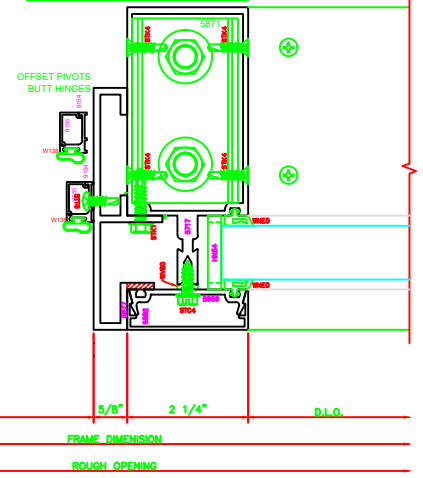
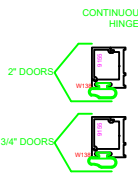
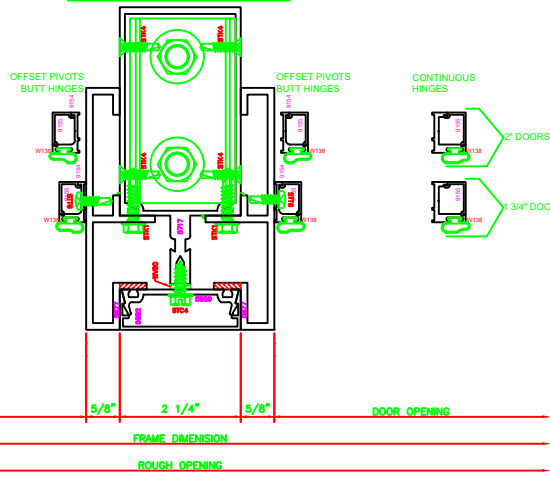
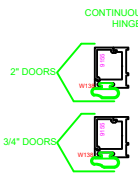
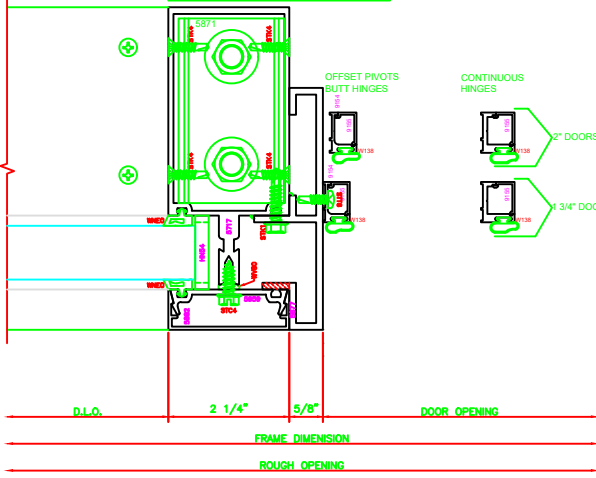
8168 O.G. VERT.
5600 6"

8167 O.G. VERT.
5600 6"

ERECTOR NOTE:
APPLY CONTINUOUS BEAD OF SEALANT
AROUND SHEAR BLOCK PRIOR TO SETTING
MULLION IN PLACE.

ERECTOR NOTE:
APPLY CONTINUOUS BEAD OF SEALANT
AROUND SHEAR BLOCK PRIOR TO SETTING
MULLION IN PLACE.

ERECTOR NOTE:
APPLY CONTINUOUS BEAD OF SEALANT
AROUND SHEAR BLOCK PRIOR TO SETTING
MULLION IN PLACE.



8163 O.G. JAMB
5600 6"

8164 O.G. JAMB
5600 6"

ERECTOR NOTE:
APPLY CONTINUOUS BEAD OF SEALANT
AROUND SHEAR BLOCK PRIOR TO SETTING
MULLION IN PLACE.

ERECTOR NOTE:
APPLY CONTINUOUS BEAD OF SEALANT
AROUND SHEAR BLOCK PRIOR TO SETTING
MULLION IN PLACE.

