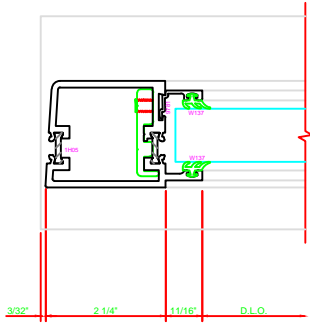


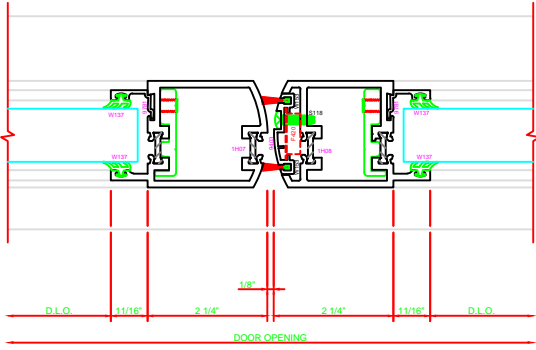
300 STILE
S/A D202 FOR OFFSET PIVOTS

ERASE NOTE

BUTT HINGES CAN NOT BE USED WITH THERMASTILE DOORS



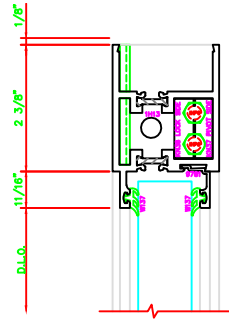
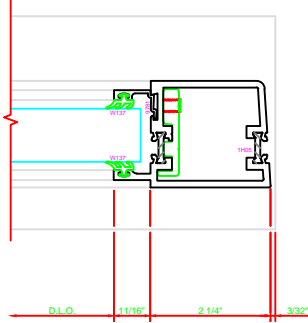
401 MEETING STILES
C202



301 STILE
S/A D202 FOR OFFSET PIVOTS

ERASE NOTE

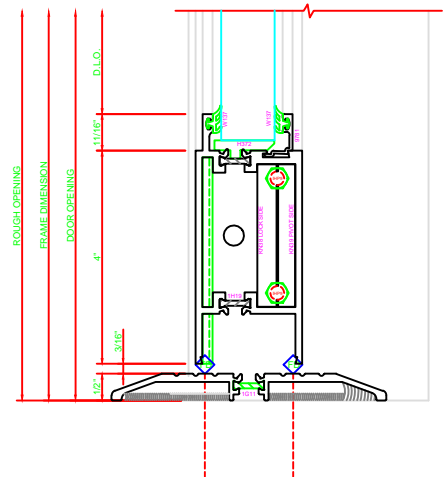
BUTT HINGES CAN NOT BE USED WITH THERMASTILE DOORS



100 TOP RAIL
S/A D202

ERASE NOTE

TOP RAIL FOR SURFACE CLOSERS, OR DORMA TYPE C.D.C., NOT LGN C.D.C.



200 BOTTOM RAIL
S/A D202