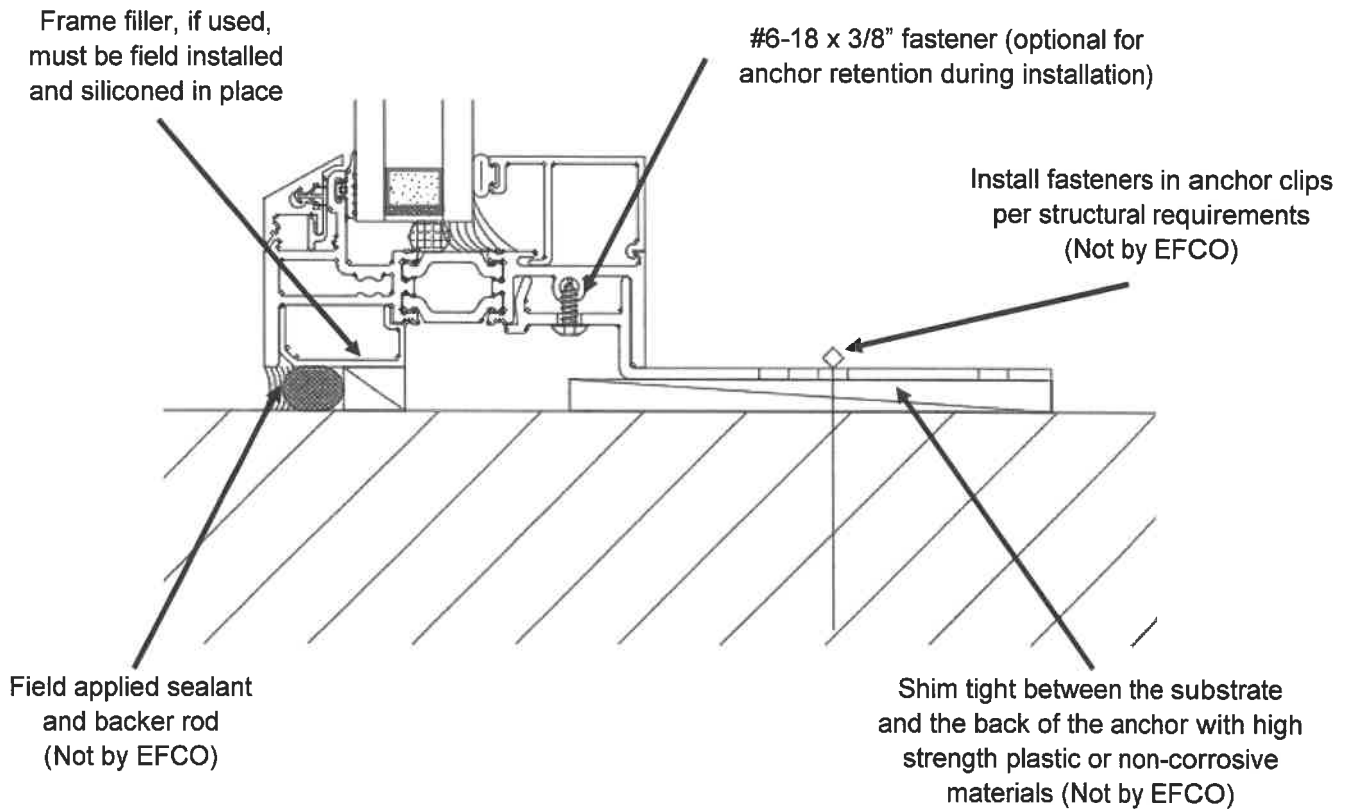


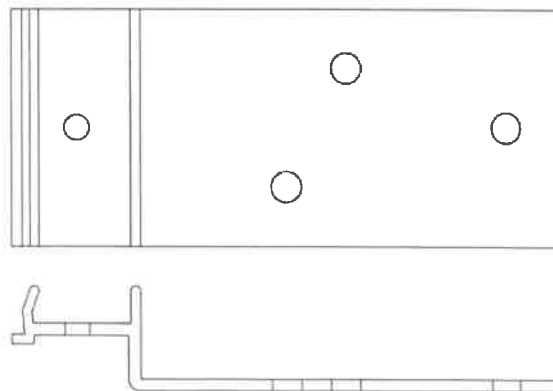
Completely read the General Installation Instructions and all other sections which pertain to your project before starting work. These recommendations are for general erection procedures only. For actual job conditions, see the details on the shop drawings. For perimeter anchor types and spacing, refer to the approved shop drawings or consult the project design professional.

Installation with Anchor Clips

Anchor clips must be located around the entire window perimeter and positioned as noted on the shop drawings and/or anchorage calculations by the responsible parties.



When window is anchored to the opening under the glazing bead and through the frame, glazing bead may have to be notched before it is reinserted into the frame and/or sash in order to provide adequate clearance around the head of the perimeter anchor.

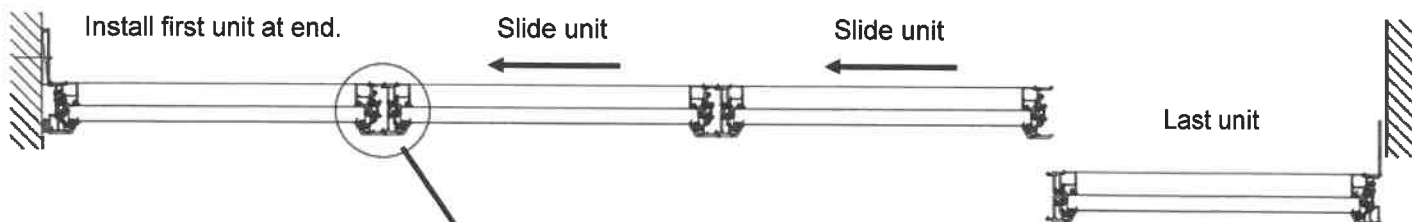


Typical Anchor Clip
(Not to Scale)

Completely read the General Installation Instructions and all other sections which pertain to your project before starting work. These recommendations are for general erection procedures only. For actual job conditions, see the details on the shop drawings. For perimeter anchor types and spacing, refer to the approved shop drawings or consult the project design professional.

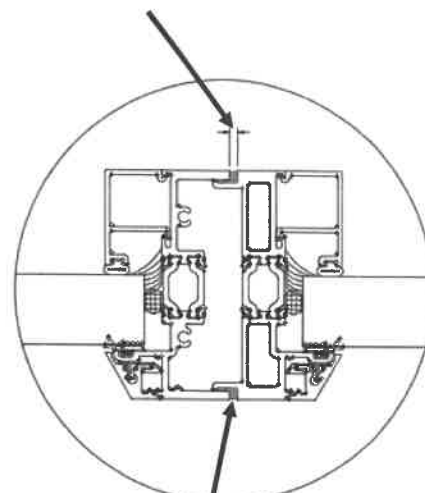
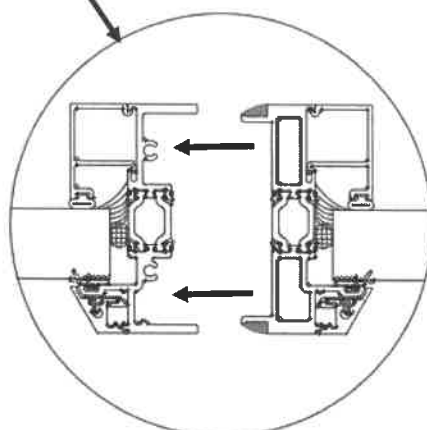
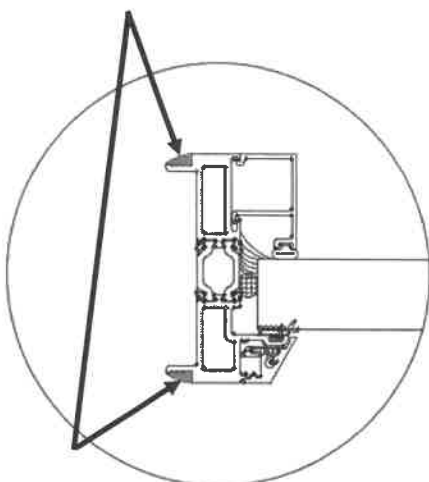
Side Stack Installation

If side stacking is utilized, place one unit on the end as shown, and then slide the other units towards the same end to allow room for the last window to be installed. If a stack mullion is used, install prior to sliding the next window into place. Make sure there is enough space at the end of the opening to install the last unit. Adjustment of units may be required after the last unit is installed in order to provide equal spacing.



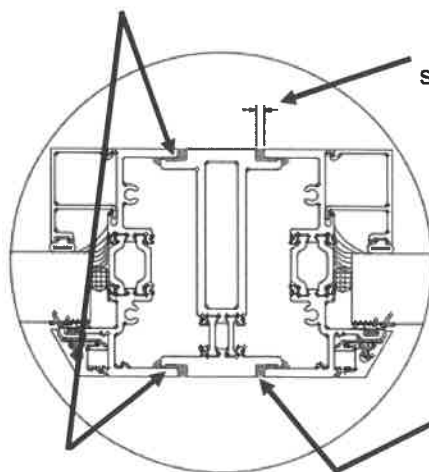
Apply a bead of silicone to the interior & exterior stack legs prior to installation.

0"-1/8" (See the shop drawings for specific expansion joint dimensions at stacks)



Apply a bead of silicone to the interior & exterior stack mullion legs prior to installation.

0"-1/8" (See the shop drawings for specific expansion joint dimensions at mullions)



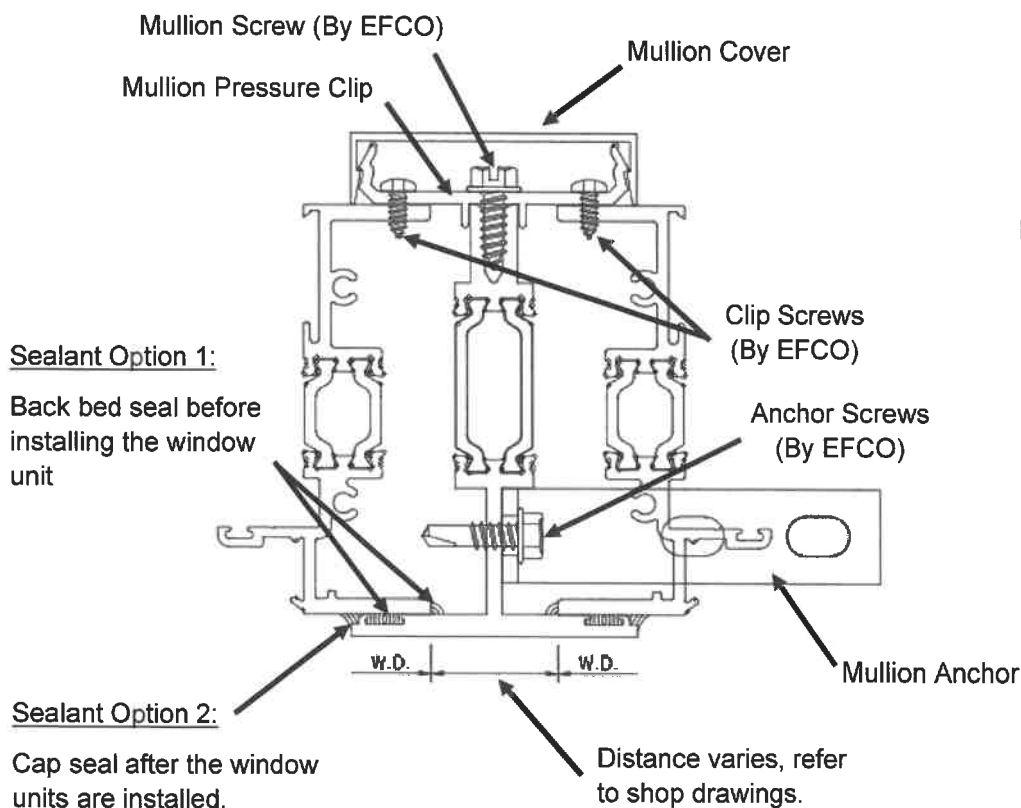
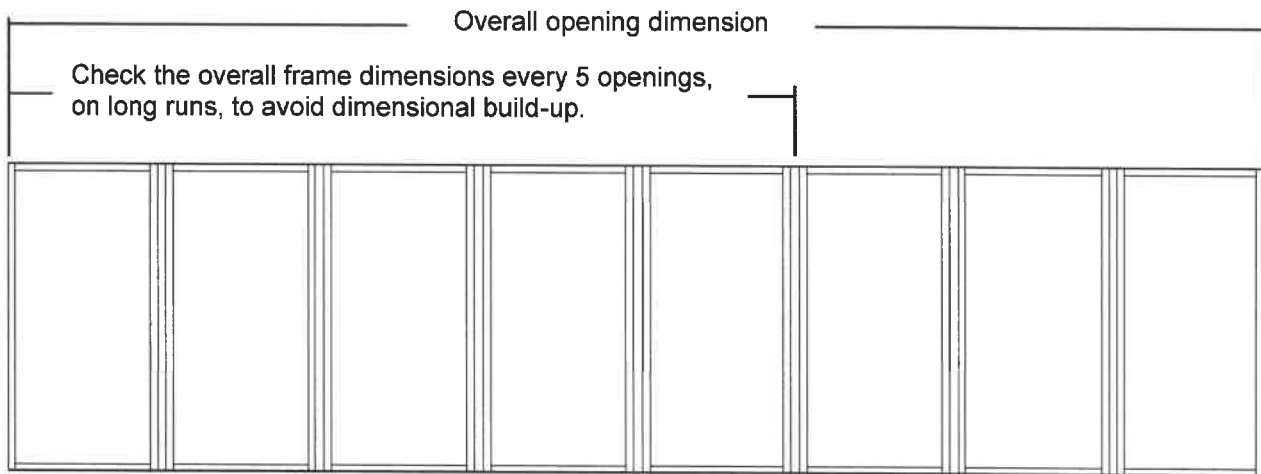
Critical Field Seal (Stack Joint):
After all of the window units are installed and set into place, tool the sealant at the joint & clean off any excess sealant from the face of the window.
Note: If there are any voids in the sealant at the joint, apply additional sealant, completely filling the joint, and re-tool.

Completely read the General Installation Instructions and all other sections which pertain to your project before starting work. These recommendations are for general erection procedures only. For actual job conditions, see the details on the shop drawings. For perimeter anchor types and spacing, refer to the approved shop drawings or consult the project design professional.

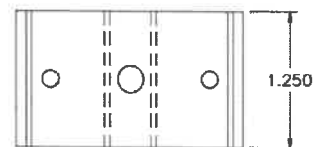
Installation of 3-Piece Mullions When Not Using Subframe or Panning

General Notes:

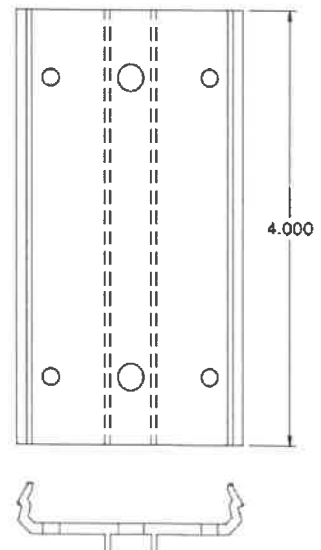
1. Refer to the shop drawings for the correct center line location of the mullion.
2. Mullions are supplied at the rough opening height plus 2" (square cut) to allow for field trimming as required.



Typical Mullion Clip

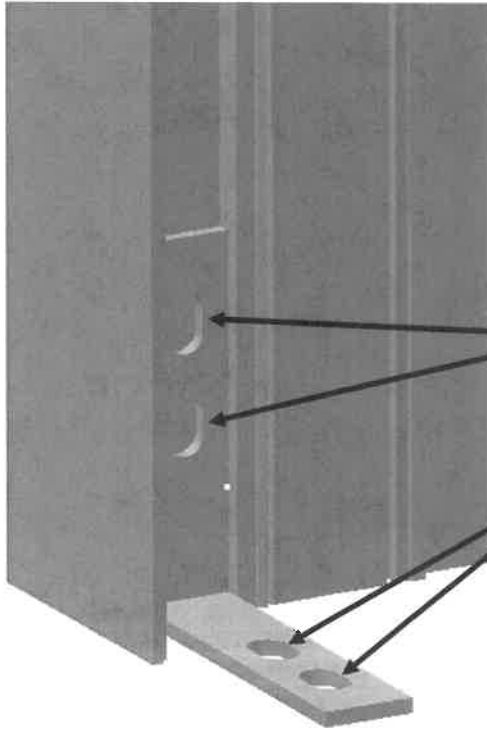


Bottom (Sill) Mullion Clip



Completely read the General Installation Instructions and all other sections which pertain to your project before starting work. These recommendations are for general erection procedures only. For actual job conditions, see the details on the shop drawings. For perimeter anchor types and spacing, refer to the approved shop drawings or consult the project design professional.

STEP 1: Set the mullion into the opening



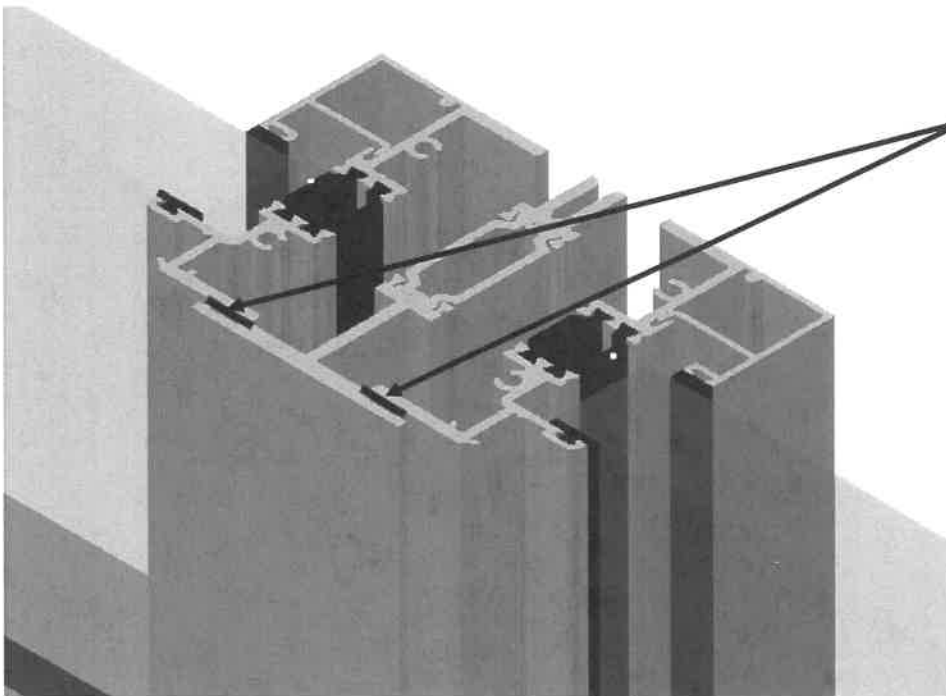
Locate and plumb the mullions into the opening before any windows are installed.

Mullions are attached to the opening using two EFCO supplied mullion anchors. One anchor will be located at the head, and one will be located at the sill.

EFCO furnished fasteners

Fasteners not by EFCO

STEP 2: Install window units

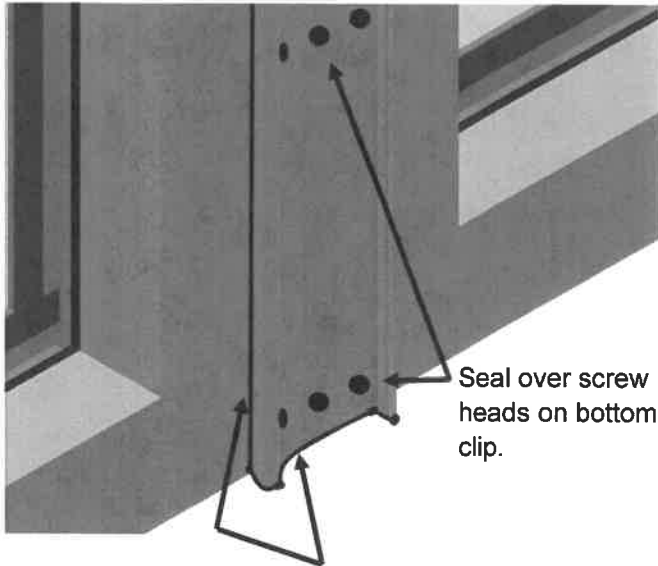


Sealant Option 1:

Back bed the window to mullion contact area with silicone sealant before installing the window unit.

Completely read the General Installation Instructions and all other sections which pertain to your project before starting work. These recommendations are for general erection procedures only. For actual job conditions, see the details on the shop drawings. For perimeter anchor types and spacing, refer to the approved shop drawings or consult the project design professional.

STEP 3: Install mullion pressure clips and cover



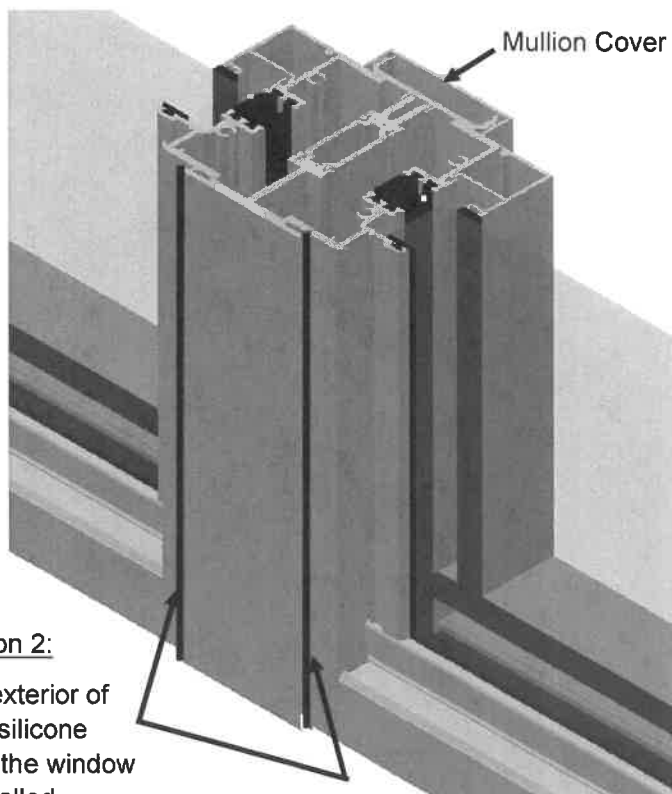
Seal bottom (sill) clip to flashing or substrate and up the sides.

Attaching Mullion Pressure Clips:

Bottom (sill) mullion pressure clip (4" long) should contact the sill flashing or sill substrate in order to form a water dam and maintain the sill dam height.

Typical mullion pressure clips shall be attached as close to the top end of the mullion as possible, and then at 16" on center.

Note: Typical mullion pressure clip spacing may need to be reduced depending on design pressure and anchorage conditions (Refer to shop drawings or consult the project design professional).



Attaching Mullion Cover:

After pressure clips are installed snap on the mullion cover and then seal the exterior of the window if sealant option 2 was chosen.

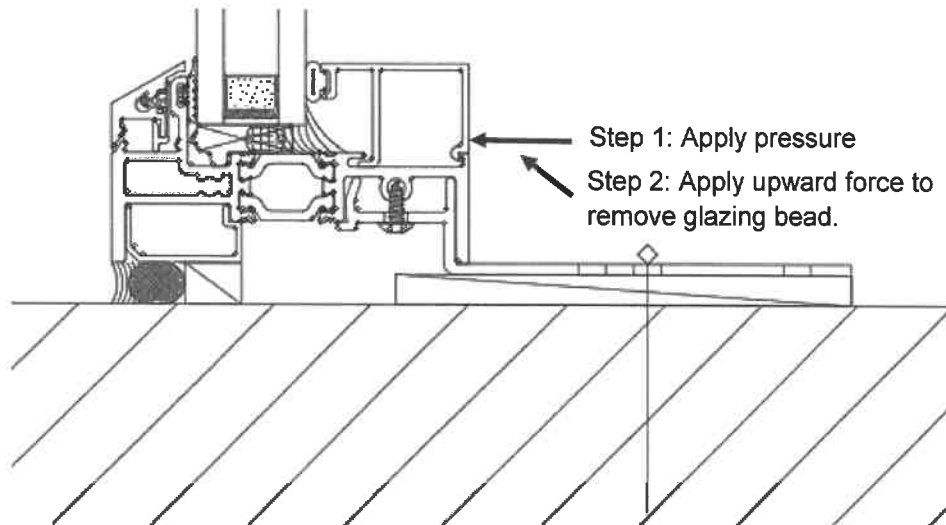
Sealant Option 2:

Cap seal at exterior of window with silicone sealant after the window units are installed.

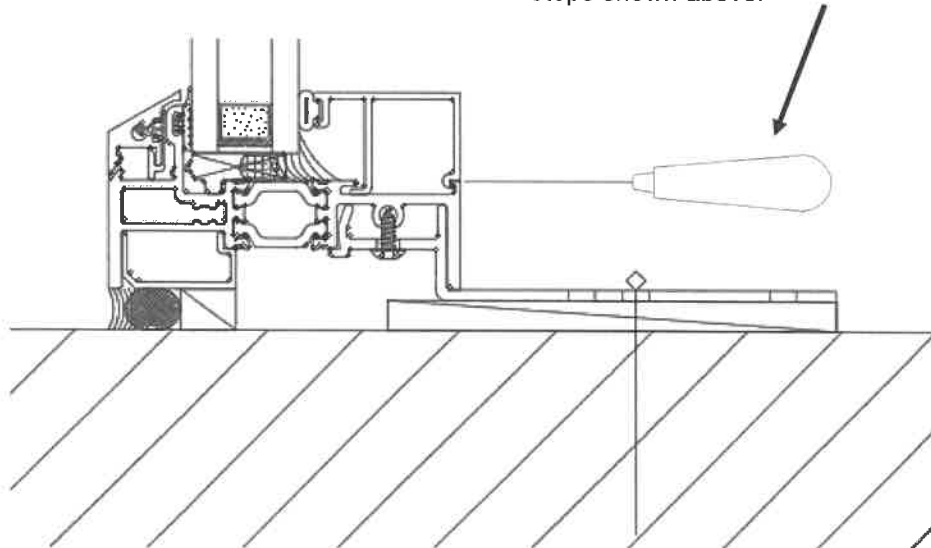
Appendix A: De-Glazing and Re-Glazing Installed Window Units

Remove Glazing Bead:

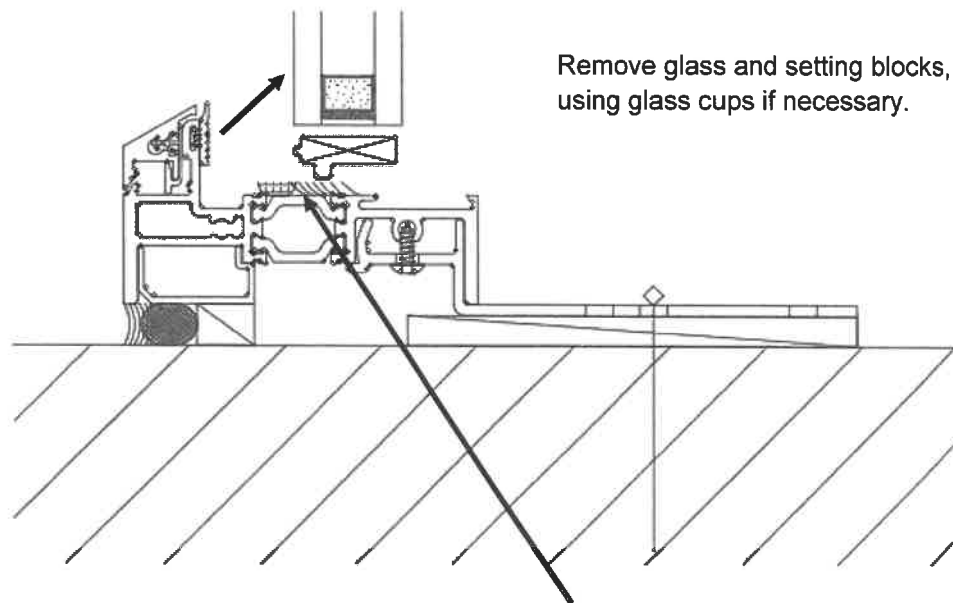
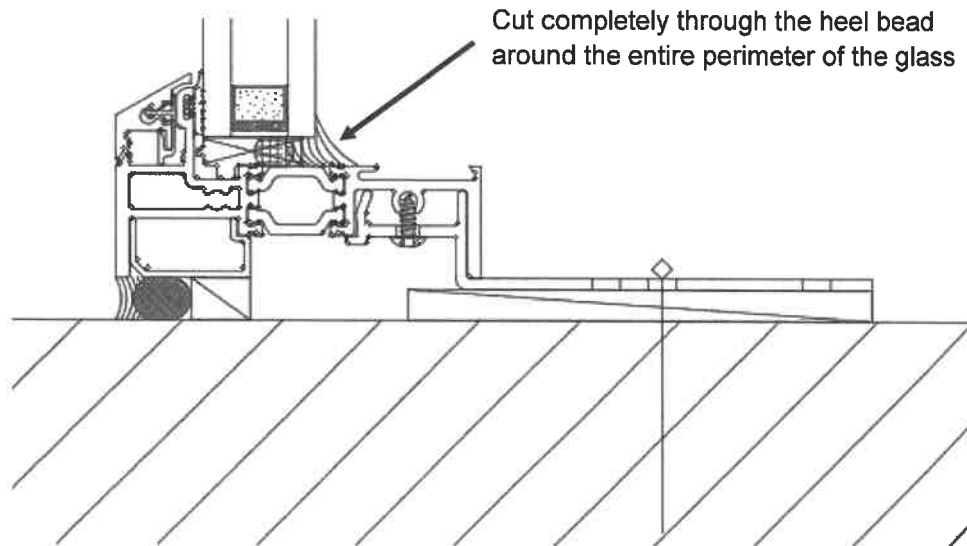
Note: The process of de-glazing and re-glazing will require that the glazing bead to be removed. Care must be exercised to avoid damaging the glazing beads. EFCO is not liable for damage to the glazing beads, window finish, or glass.



If glazing bead is tight, insert a putty knife in the seam between the bead and frame.
Twist putty knife while it is in the seam and follow steps shown above.



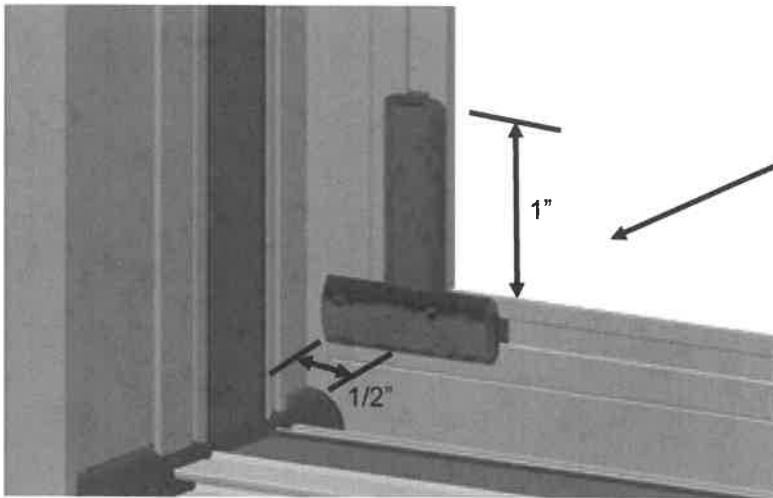
Remove Heel Bead and Glass:



Make sure any remaining silicone or debris is removed from the frame. Clean and prep the frame for re-glazing, per the requirements of the sealant manufacturer.

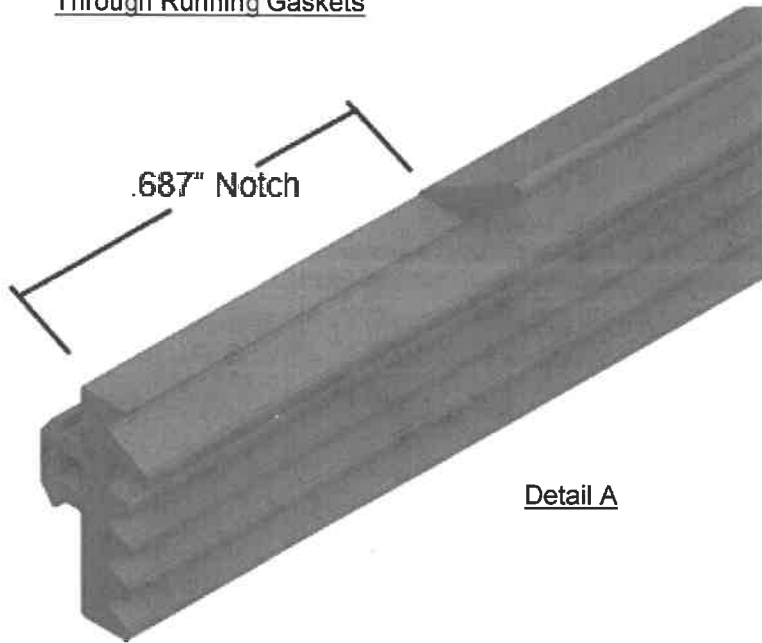
Note: Inspect all gaskets, pre-set and glazing bead, for damage and replace with new ones as required.

Replacing Pre-Set Gaskets:



Fill the gasket track with sealant, about 1" long, from end of frame member. At horizontals run sealant about 1/2" past the intersection of the frame members.

Through Running Gaskets

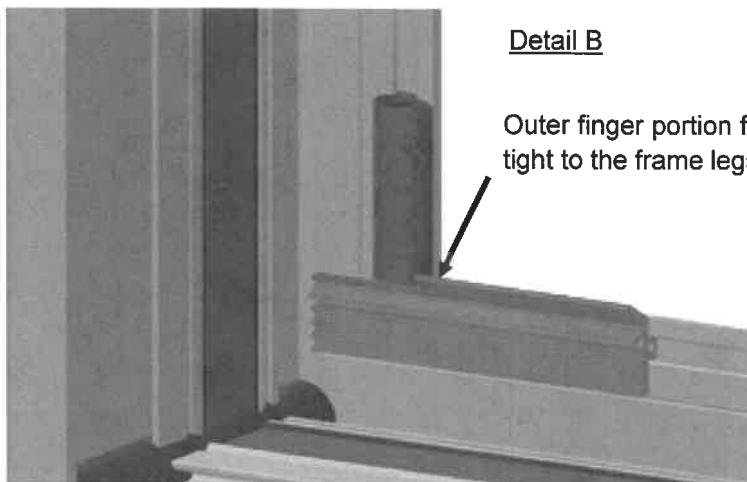


At through running pre-shim gaskets notch (see Detail A) both ends with the gasket outer finger portion fitting between the frame legs (Detail B). Through running pre-shim gaskets are to be installed first.

At the gaskets that do not run through tip the outer finger at both ends 30° to 45° (see Detail C).

Install the gasket by sizing it about 1/4" longer than required and insert it into the track by pressing it in on both ends, and then pressing it in at the center. After the center has been pressed in work your way back towards the ends.

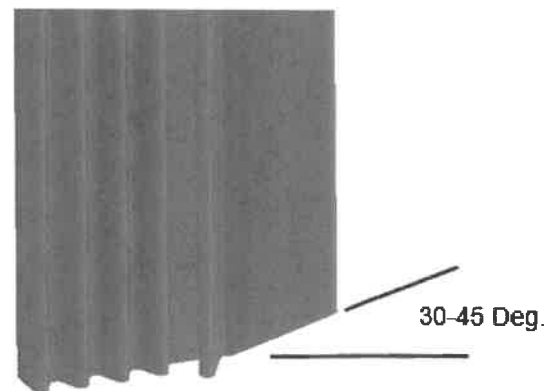
Note: Make sure the gaskets fit tight at the intersections (no gaps), and do not stretch the gasket to make it fit.



Detail B

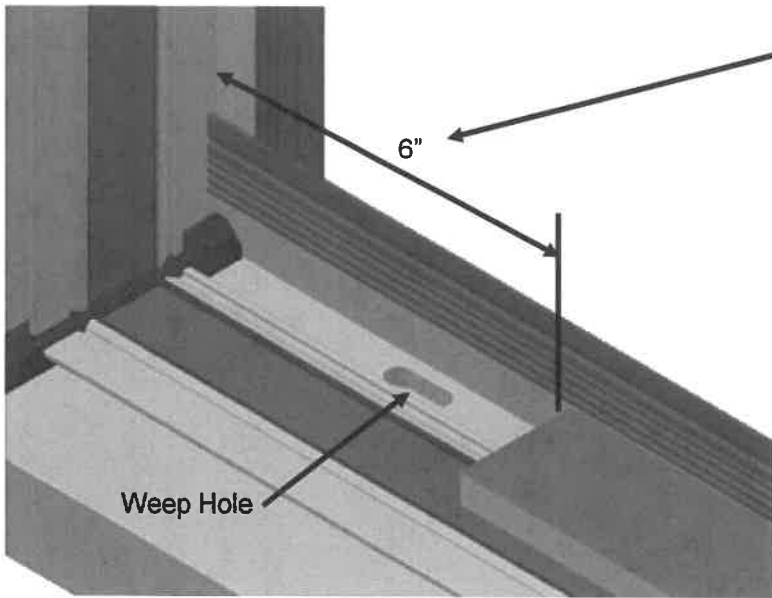
Outer finger portion fits tight to the frame legs.

Detail C



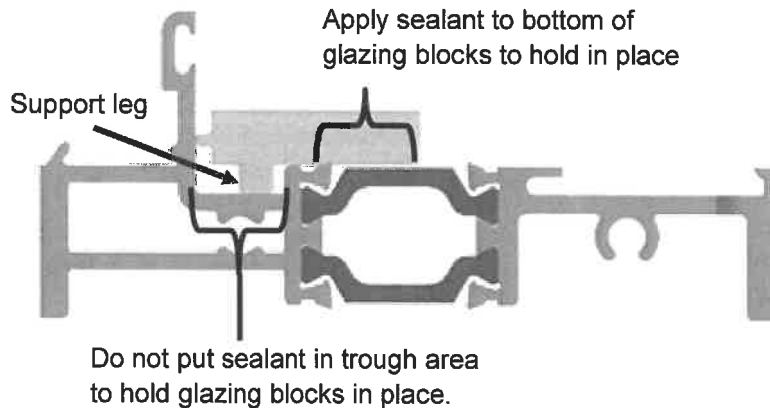
30-45 Deg.

Replacing Setting/Edge Blocks:

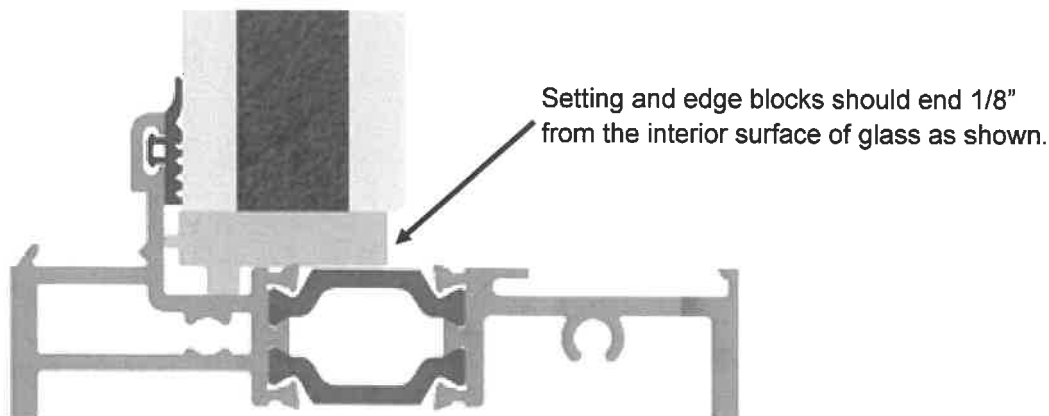


Setting blocks at the bottom of glass units should be placed with the end of block 6" from the end of the rail. Make sure setting blocks do not interfere with weep holes.

Other setting block locations have standard quarter point or casement locations. See next page for block location requirements.

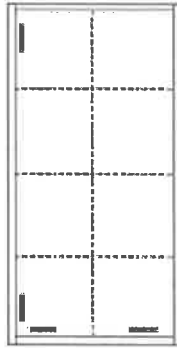


Note: Flat blocks without support legs are not permitted at the bottom of glass units, and setting blocks should never protrude beyond the glass surface.



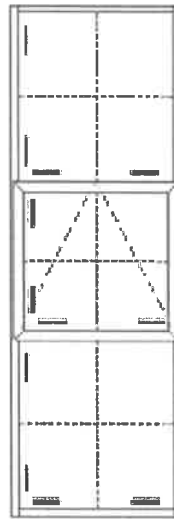
Setting/Edge Block Locations (As Viewed From Exterior):

Fixed

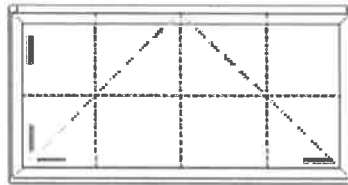


Fixed/Projected

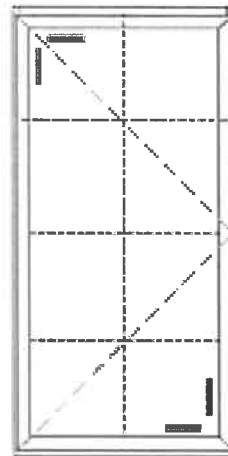
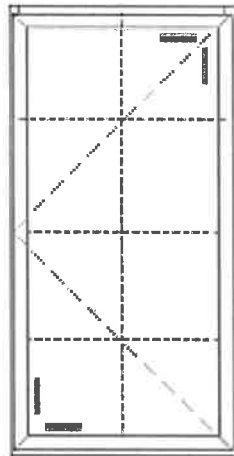
Projected/Fixed



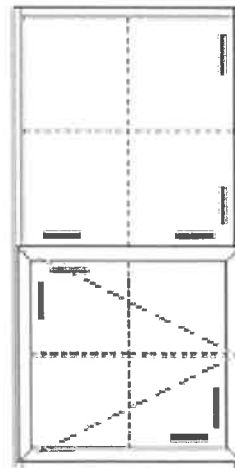
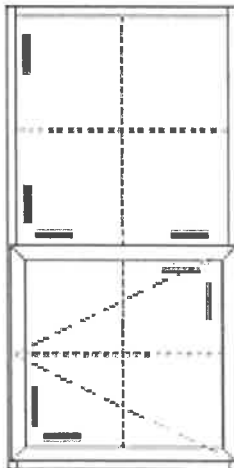
Projected



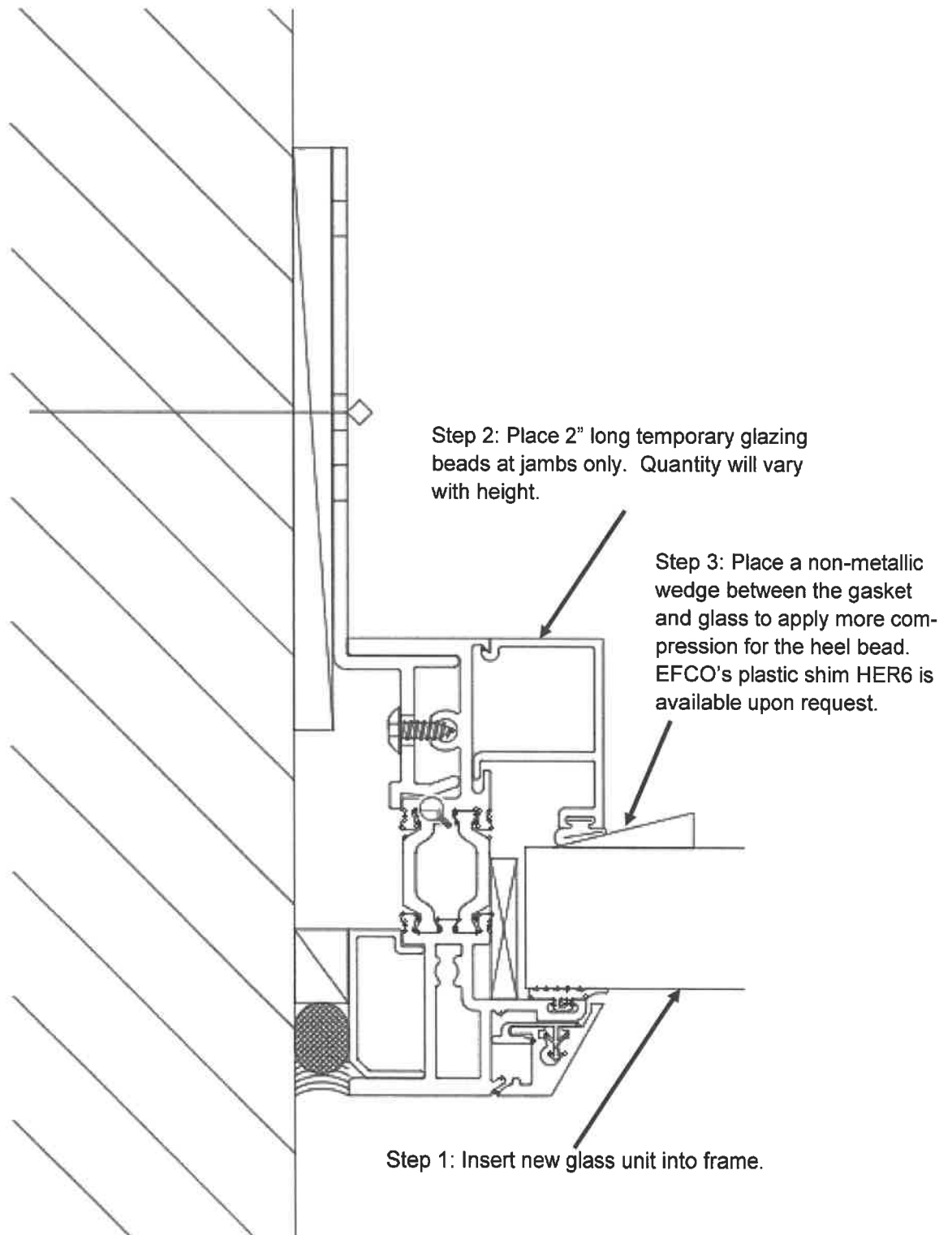
Casement



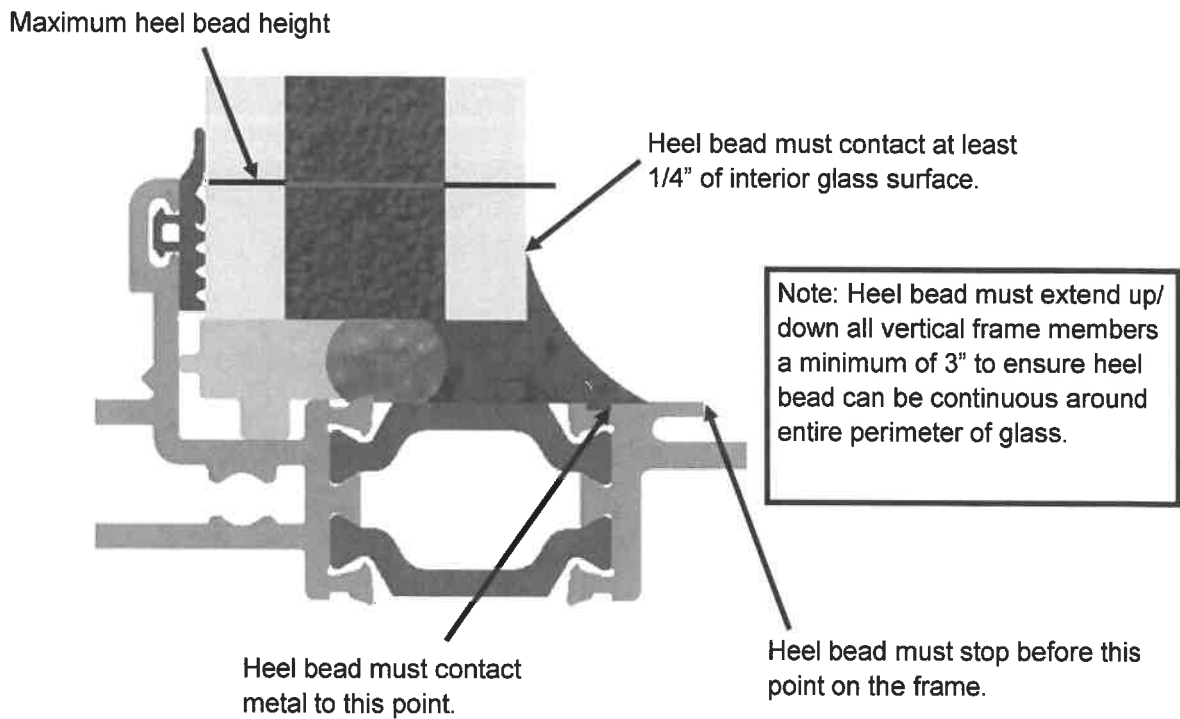
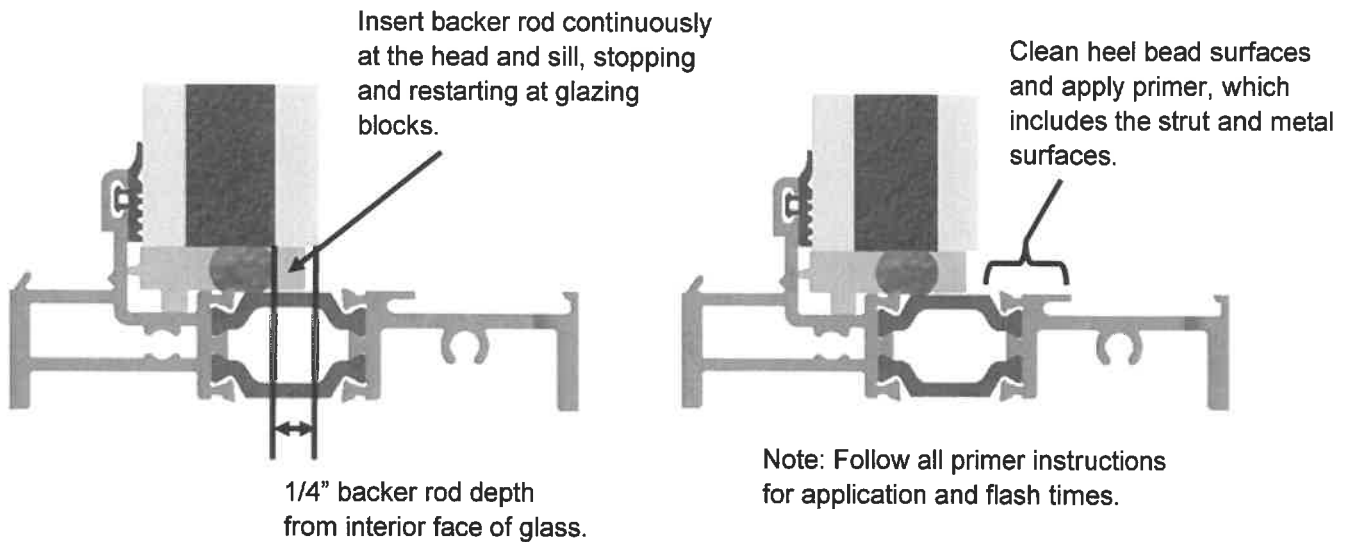
Fixed/Casement



Install New Glass:



Install New Backer Rod and Apply Heel Bead at Head and Sill:



- After heel bead is applied at the head and sill install permanent glazing beads at the head and sill only, and allow sealant to cure.
- Once sealant has cured at the head and sill, remove temporary glazing beads at jambs and apply backer rods and heel beads to the jambs as previously done for the head and sill.
- Install permanent glazing beads at the jambs.