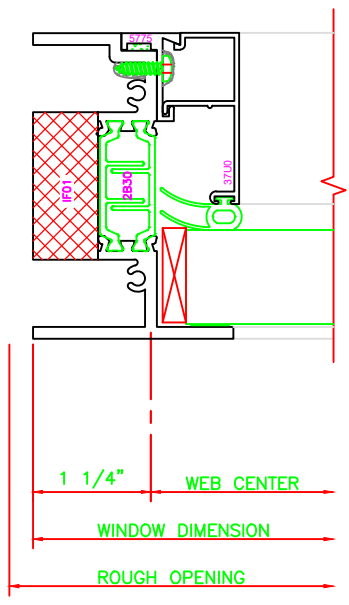
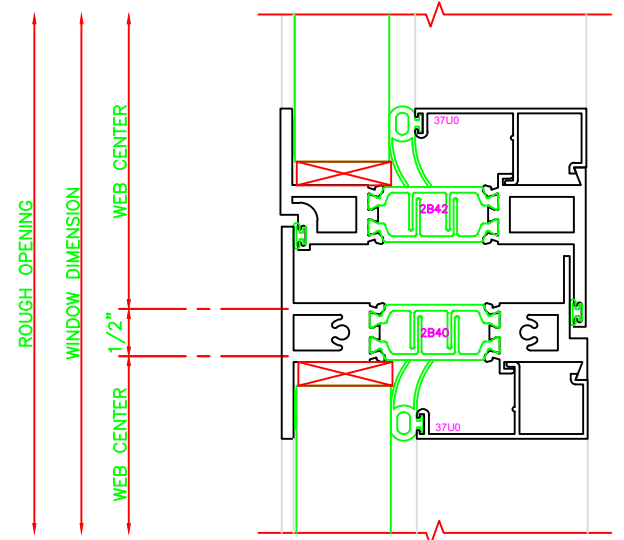
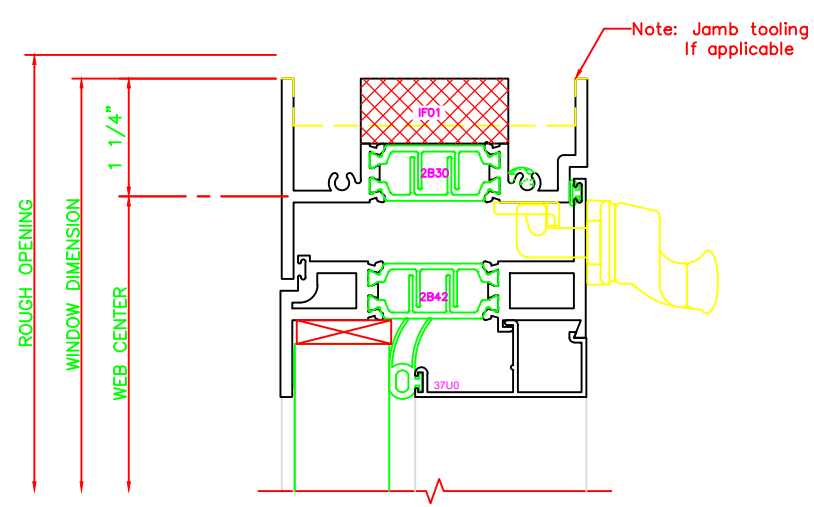


110	HEAD
	325 PROJECT IN CAM LOCK

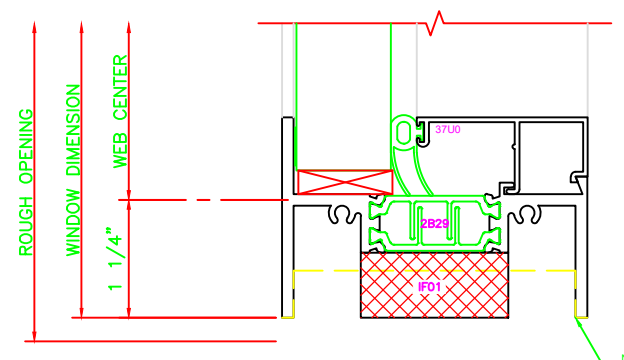
410	JAMB
	325 PROJECT IN 4-BAR ARMS



402	JAMB
	325 FIXED \ PROJECT IN



512	MEETING RAIL
	325 P.I. \ FIXED



200	SILL
	325 FIXED